

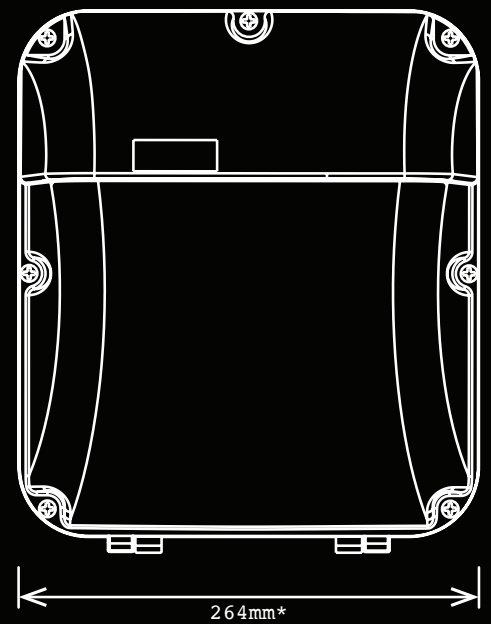
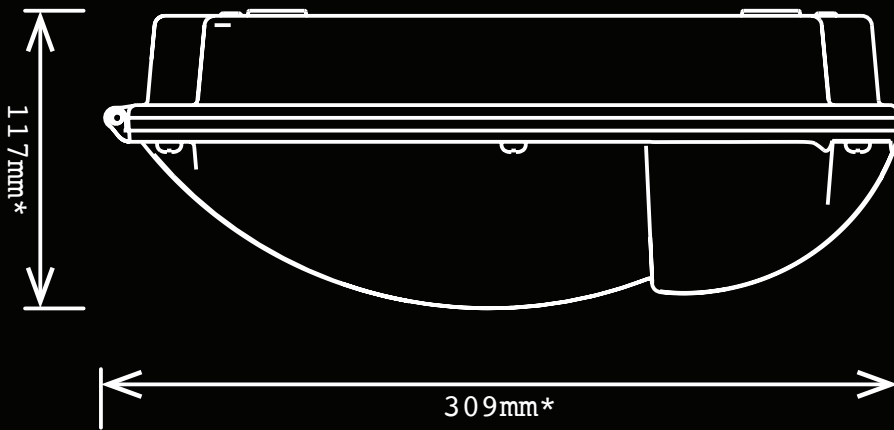
LUMiLiFE

IP65 - 30W

CCT ADJUSTABLE LED WALL PACK

CODE	DESCRIPTION	CASE QTY	LUMENS	WATTAGE	KELVIN ADJUSTABLE
S18530	LL30WWALLPACKCCT	6	2700	30	3000/4000/6000

Case Qty as Reference - Product Can Be Ordered in Single Units



* Approximate Measurement



FREE lighting Design Service Available

Please contact your local Lumilife representative for more details or email your contact details to trade@lumilife.co.uk and we will be in touch.

LUMiLiFE

Visit: www.lumilife.co.uk
 Telephone: 0161 655 0660
 or Email: trade@lumilife.co.uk