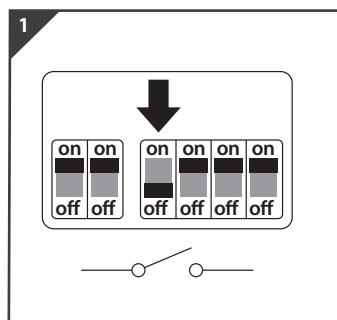
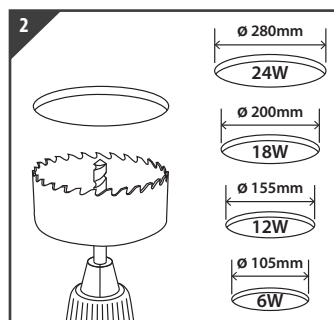


6W / 12W / 18W / 24W - CCT Recessed Round Panel

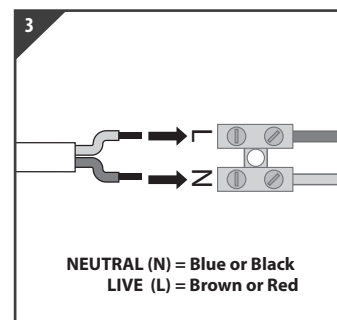
Installation must be installed by a qualified electrician (BS7671).
Read before installation and retain for future reference.
Always check for concealed pipes and cables before installation.



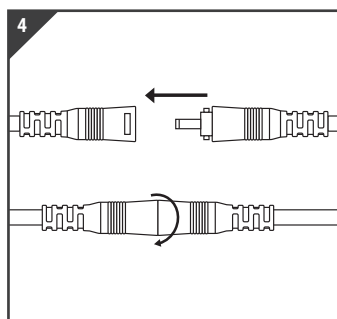
1 Switch OFF at mains supply before installing



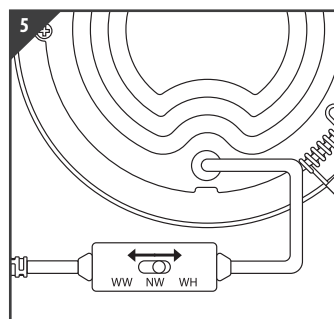
2 Carefully cut out hole (recessed model)



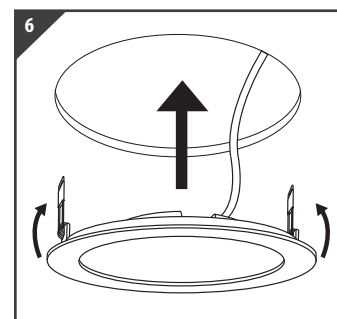
3 Connect LED driver to power supply



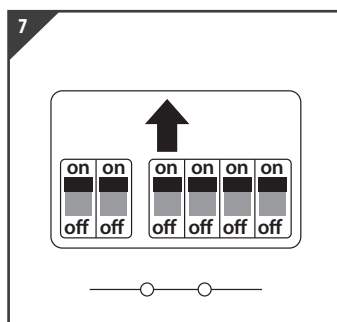
4 Connect the LED driver to the fitting using the twist and lock connector



5 Switch the CCT to desired setting
WW - 3000K Warm White
NW - 4000K Natural White / Cool White
WH - 6000K White / Daylight



6 Push springs upwards and insert



7 Return power. Switch ON at mains supply



DO NOT MODIFY – this will invalidate the warranty and could be dangerous.

Waste electrical products should not be disposed of with household waste. Please recycle where facilities exist.
Check with your Local Authority or retailer for recycling advice.