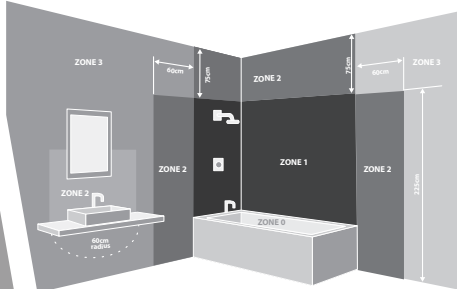


Installation must be installed by a qualified electrician (BS7671).
Read before installation and retain for future reference.
Always check for concealed pipes and cables before installation.



LOCATION

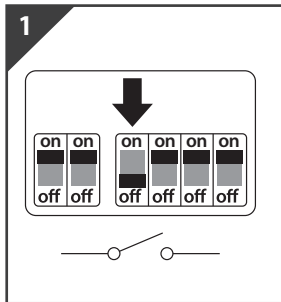
This product is suitable for zones 1 and 2 (not zone 0).

Zone 0: the area inside the bathtub or shower.

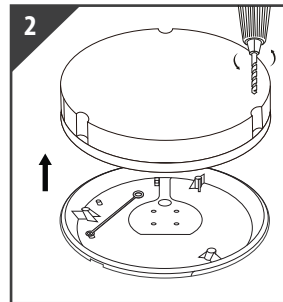
Zone 1: the area around the bathtub or shower basin up to a height of 2.25m above the floor and at a radius of 1.2m from the water outlet.

Zone 2: is limited by the vertical planes external to zone 1 and parallel vertical plane(s) 0.60m external to zone 1.

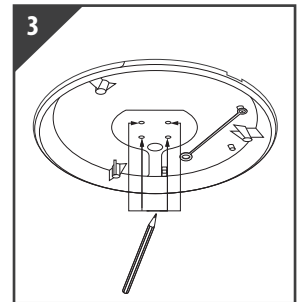
In a bathroom, product must be supplied via a 30mA residual current device (RCD).



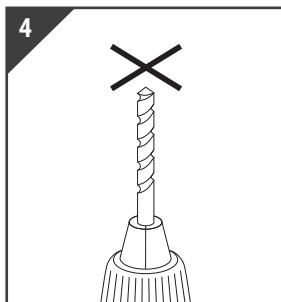
1 Switch OFF at mains supply before installing



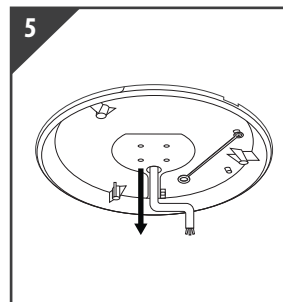
2 Hold the base securely and unscrew the cover and remove the diffuser



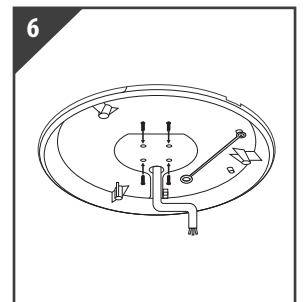
3 Ensure product is located in the correct location and mark surface



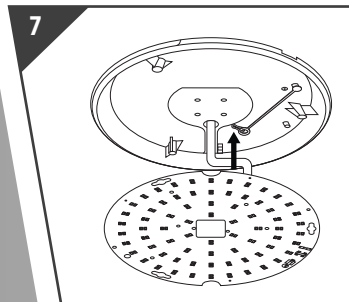
4 Use correct drill bit to drill screw holes



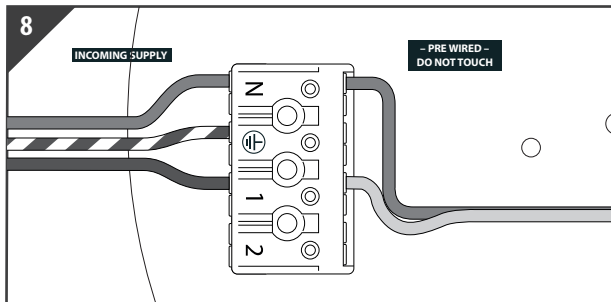
5 Pull power supply through hole in the base plate



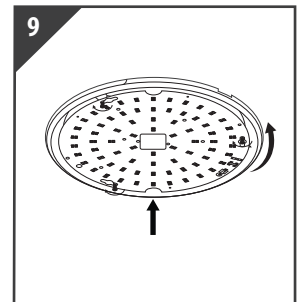
6 Thread the supply cable into the fitting, add the O ring onto screws before securing the mount bracket to the surface.



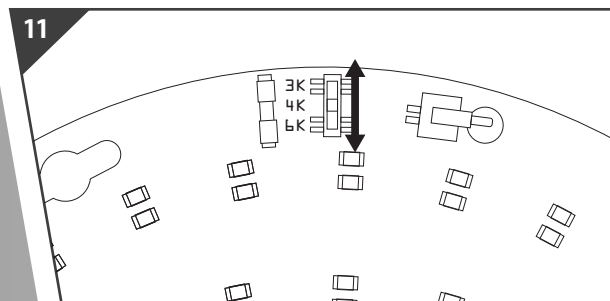
7 Attach safety belt to gear tray



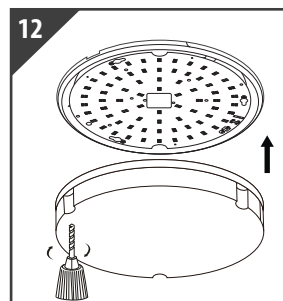
8 Example Diagram: Follow the instructions from your gear tray for correct wiring information



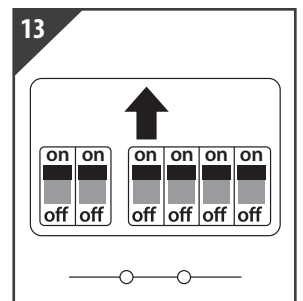
9 Align gear tray with screws and tighten



11 Example Diagram : Use the CCT selection switch on the gear tray (if applicable) to select the desired colour temperature



12 Push and screw the diffuser back into place



13 Return power. Switch ON at mains supply